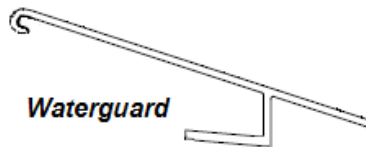


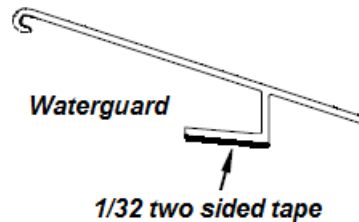
Waterguard Installation:

The Waterguard's (drawing 3) main function is to shed water from the sill of the window away from the bottom of the sash



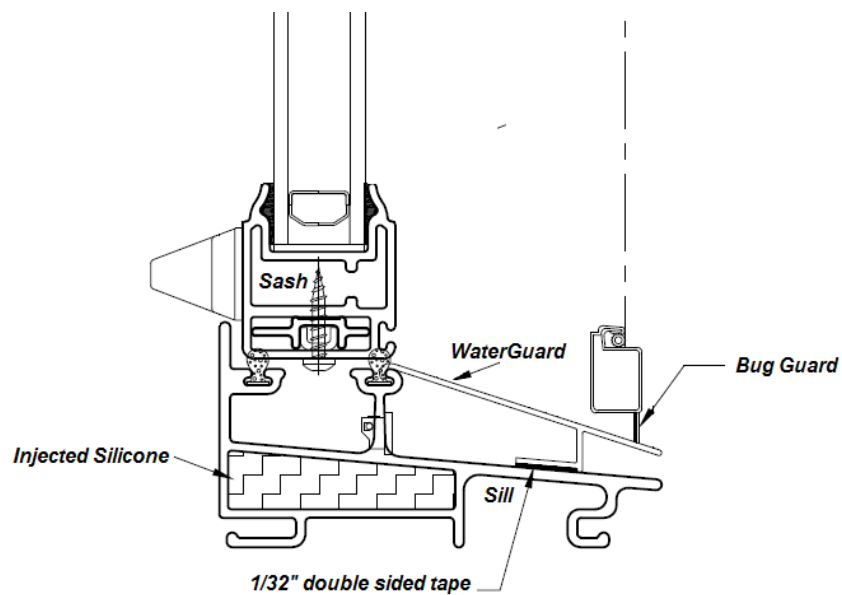
Drawing 3

Apply 1/32 two sided tape to the Waterguard as shown in drawing 4



Drawing 4

Set the Waterguard in place as shown in drawing 5.



Drawing 5